

## 1 INSTRUCTIONS AND RECOMMENDATIONS



Switch off the mains before commencing any work



Strip the wires back for about 12mm  
Cable cross-section 0.5 min / 2.5mm<sup>2</sup> max



Mechanisms with screw terminals



For single units, use casings 50mm deep,  
diameter 67 or 68mm

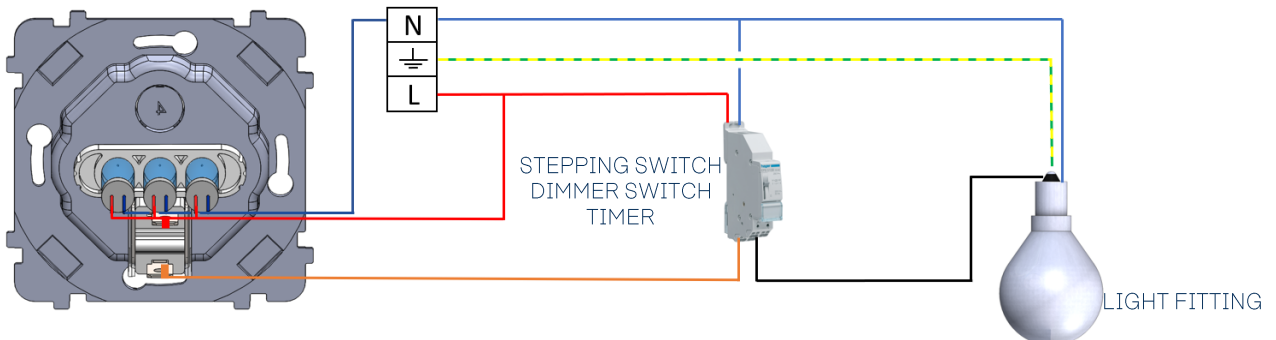
## 2 WIRING

 **N** neutral – blue cable

 **L** phase – red cable

  earth – green/yellow cable

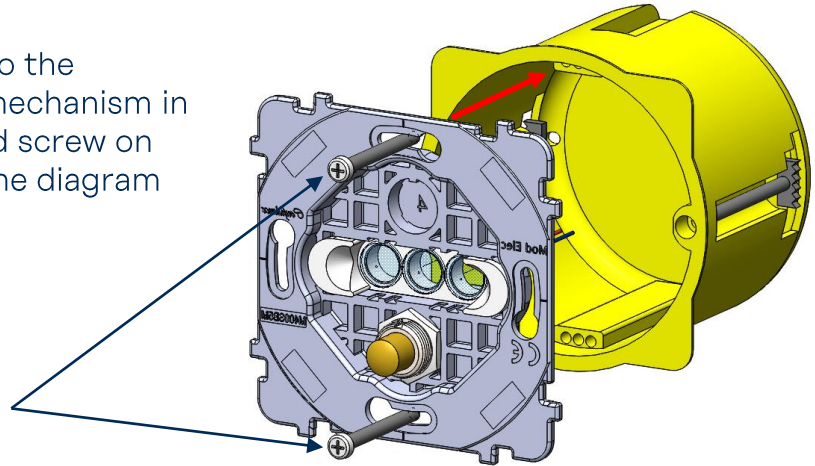
220V LED



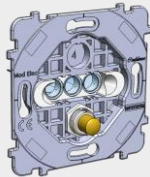
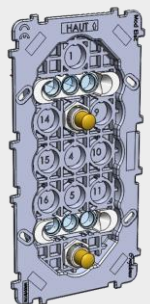
## 3 FITTING

After wiring according to the instructions, place the mechanism in the flush-mount box and screw on the plate according to the diagram opposite.

Screws supplied with the flush-mount box.



## 4 TABLE OF RELEVANT REFERENCES

	<u>Reference and description:</u>	<u>Compatible with:</u>
	07x-155G S PUSH-BUTTON + 3 WHITE LEDs 07x-156G S PUSH-BUTTON + 3 BLUE LEDs	Confidence Collection
	07x-255G D 2 PUSH-BUTTONS + 6 WHITE LEDs 07x-256G D 2 PUSH-BUTTONS + 6 BLUE LEDs	Confidence Collection

## 5 CERTIFICATIONS

The 07x toggle mechanisms comply with the NF EN 60-669-01 standard, according to test report no. 149741-706752A produced by the LCIE on 13/04/2018.

