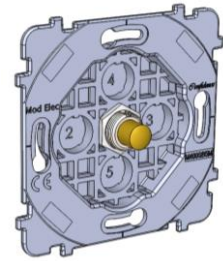




E



EL



S

1 INSTRUCTIONS AND RECOMMENDATIONS



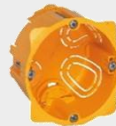
Switch off the mains before commencing any work



Strip the wires back for about 12mm
Cable cross-section 0.5 min / 2.5mm² max



Mechanisms with screw terminals




For single units, use casings 50mm deep,
diameter 67 or 68mm

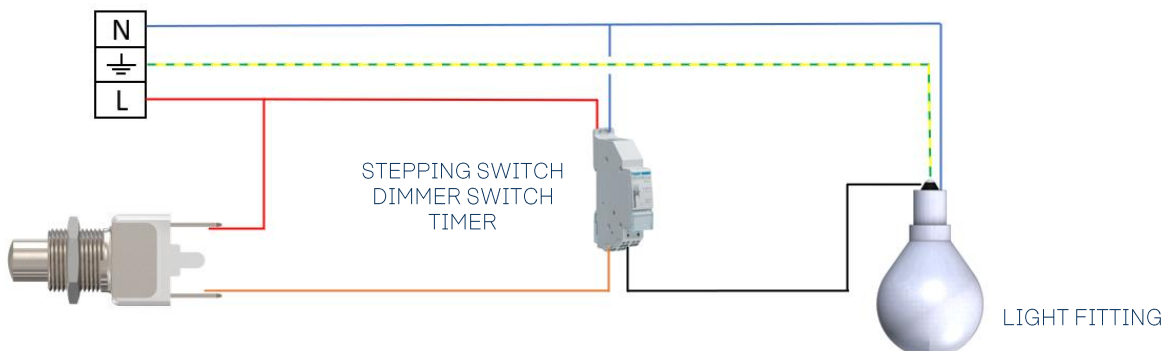
2 WIRING

 **N** neutral – blue cable

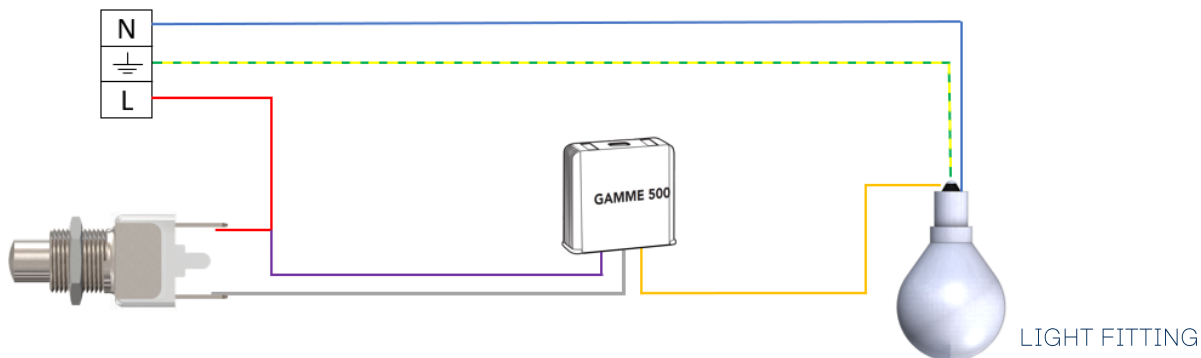
 **L** phase – red cable

  earth – green/yellow cable

Stepping switch or dimmer
switch on distribution board

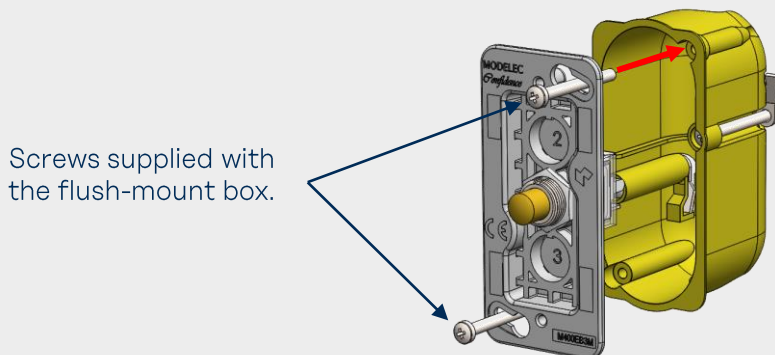
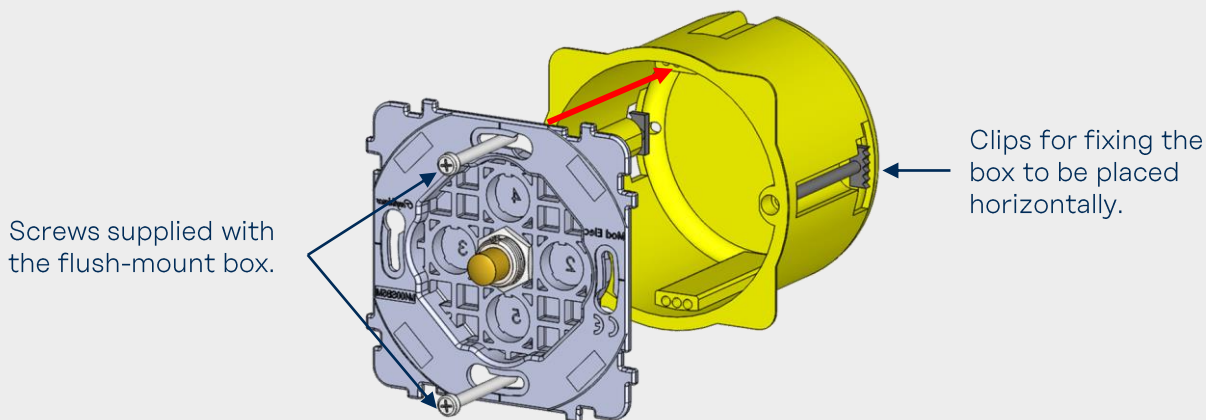


Single PUSH-button
+ Flush-mounted dimmer
module



3 FITTING

After wiring according to the instructions, place the mechanism in the flush-mount box and screw on the plate as shown in the diagrams below.



4 TABLE OF RELEVANT REFERENCES

072



073



074



Reference and description:

07x-081G E 1 PUSH-BUTTON
07x-082G E 2 PUSH-BUTTONS
07x-083G E 1 PUSH-BUTTON
07x-084G E 1 PUSH-BUTTON + 1 TOGGLE SWITCH

Compatible with:

Confidence Collection

07x-041G EL 1 PUSH-BUTTON
07x-042G EL 2 PUSH-BUTTONS
07x-043G EL 3 PUSH-BUTTONS
07x-044G EL 2 REMOTE PUSH-BUTTONS
07x-045G EL 5 PUSH-BUTTONS
07x-046G EL 4 PUSH-BUTTONS
07x-007G EL 1 PUSH-BUTTON + 1 TOGGLE SWITCH

Confidence Collection
Fascination Collection

07x-141G S 1 PUSH-BUTTON
07x-142G S 2 PUSH-BUTTONS
07x-143G S 3 PUSH-BUTTONS
07x-143G S 3 PUSH-BUTTONS

Confidence Collection
Fascination Collection

5 CERTIFICATIONS

The 07x push mechanisms comply with the NF EN 60-669-01 standard, according to test report no. 149741-706752A produced by the LCIE on 13/04/2018.

