

1 INSTRUCTIONS AND RECOMMENDATIONS



Switch off the mains before commencing any work



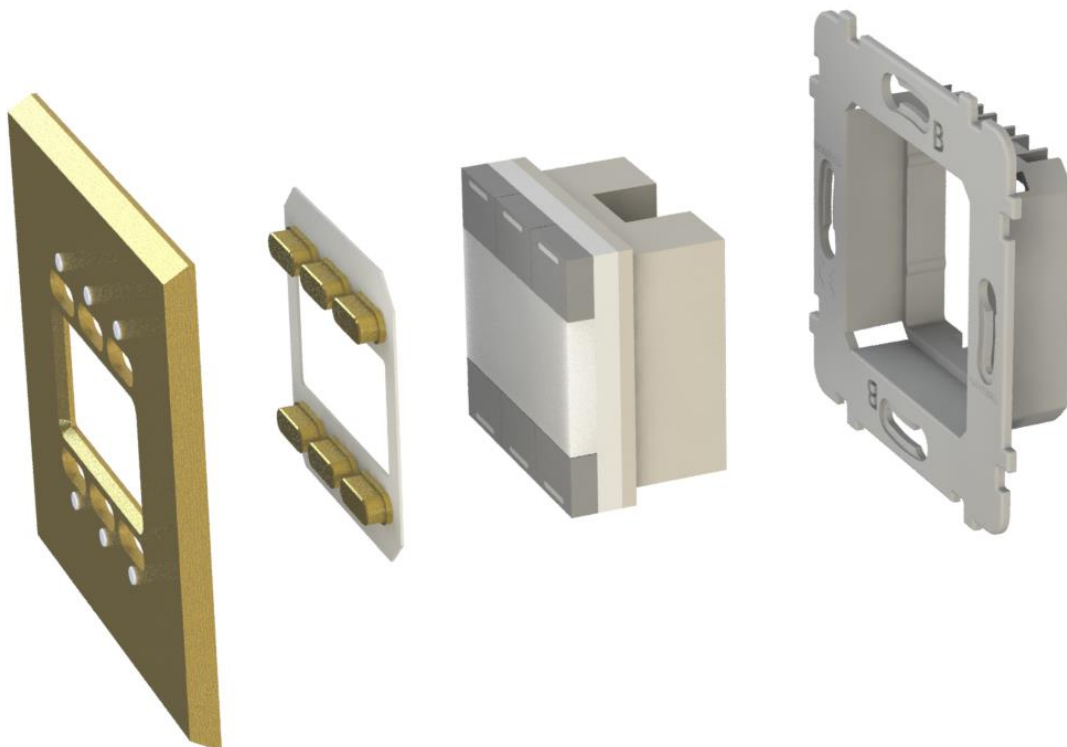
2 x 4 connectors Ø 0.6 to 0.8mm



KNX 30V bus connection type

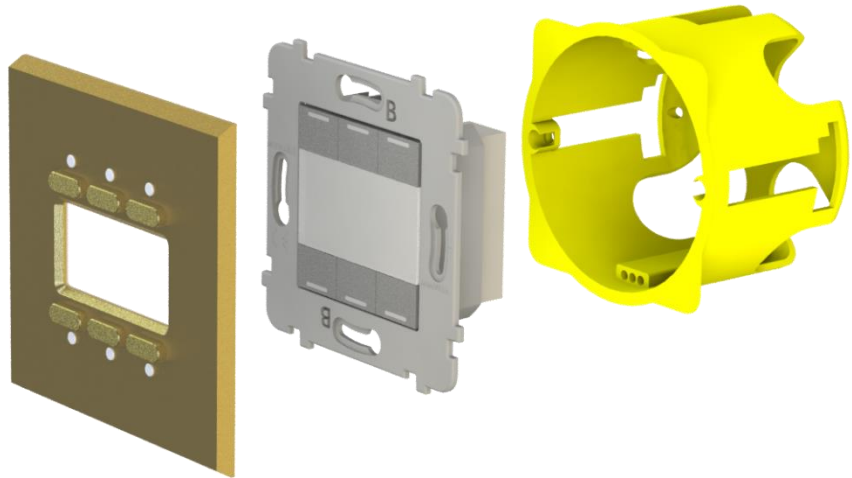


For single units, use casings 50mm deep, diameter 67 or 68mm



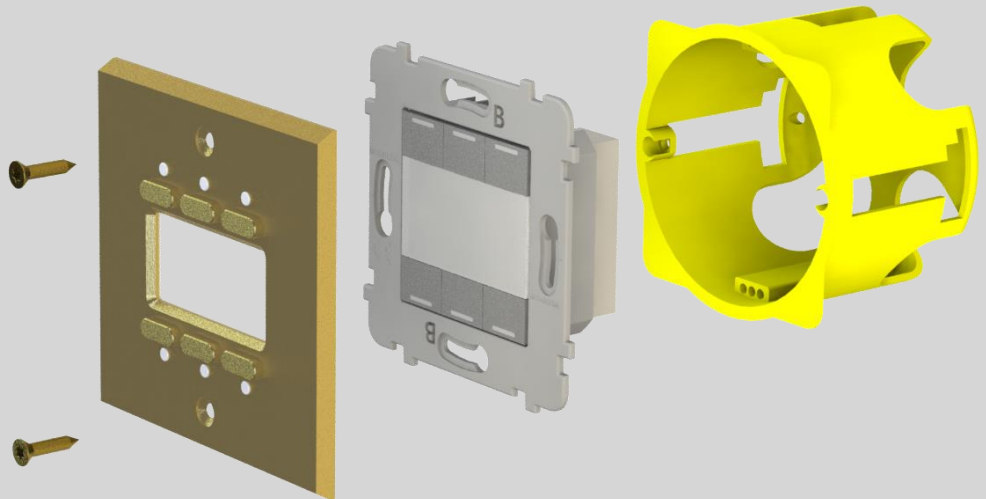
2 FITTING

MAGNETIC COVER PLATE



1. Wire the mechanism according to the corresponding diagram.
2. Place the mechanism in the standard flush-mount box and screw it down. Ensure vertical position is correct.
3. Move the front panel up to the mechanism so the magnet can act.

SCREW COVER PLATE



1. Wire the mechanism according to the corresponding diagram.
2. Place the mechanism in the standard flush-mount box. Ensure horizontal position is correct.
3. Simply engage the front panel + mechanism assembly into the standard flush-mount box and screw in (2 Torx screws supplied).



3 FINISHES



Matt white
413



Brushed steel
412



Satin nickel
418



Mirror chrome
415



Gun metal
414



Matt black
408



White enamel
424



Brushed brass
410



Satin brass
419



Mirror gold
421



Old bronze
417

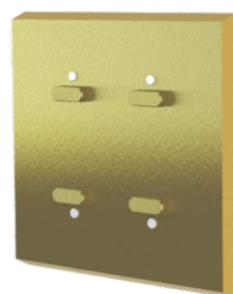


Satin-finish copper
423

4 TABLE OF RELEVANT REFERENCES



702-4xxM	2-button magnet-fit
702-4xx	2-button screw-fit
704-4xxM	4-button magnet-fit
704-4xx	4-button screw-fit
706-4xxM	6-button magnet-fit
706-4xx	6-button screw-fit



702-4xxM-L	2-button LED magnet-fit
702-4xx-L	2-button LED screw-fit
704-4xxM-L	4-button LED magnet-fit
704-4xx-L	4-button LED screw-fit
706-4xxM-L	6-button LED magnet-fit
706-4xx-L	6-button LED screw-fit



712-4xxM	2-button with window magnet-fit
712-4xx	2-button with window screw-fit
714-4xxM	4-button with window magnet-fit
714-4xx	4-button with window screw-fit
716-4xxM	6-button with window magnet-fit
716-4xx	6-button with window screw-fit



712-4xxM-L	2-button with LED and window magnet-fit
712-4xx-L	2-button with LED and window screw-fit
714-4xxM-L	4-button with LED and window magnet-fit
714-4xx-L	4-button with LED and window screw-fit
716-4xxM-L	6-button with LED and window magnet-fit
716-4xx-L	6-button with LED and window screw-fit



722-4xxM-L	2-button with LED and infrared magnet-fit
722-4xx-L	2-button with LED and infrared screw-fit
724-4xxM-L	4-button with LED and infrared magnet-fit
724-4xx-L	4-button with LED and infrared screw-fit