



1 GENERAL INFORMATION

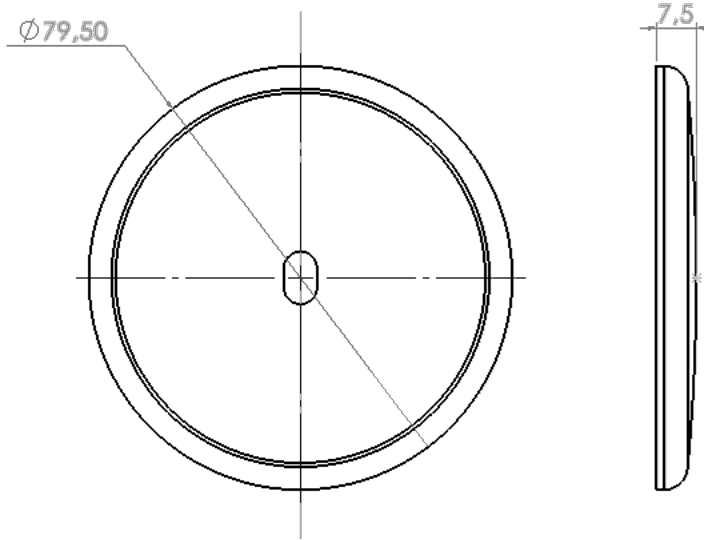
- **Material:** Brass 7;5mm
- **Weight:** 180g
- **Screw spacing:** 60mm
- **Fixing:** With or without screws
- **Fitting:** 3 minutes screw / 1 minute magnet
- **Compatible flush-mount boxes:**
LEG 080031 / IMT35032 / BLM 680500 / LEX72049012



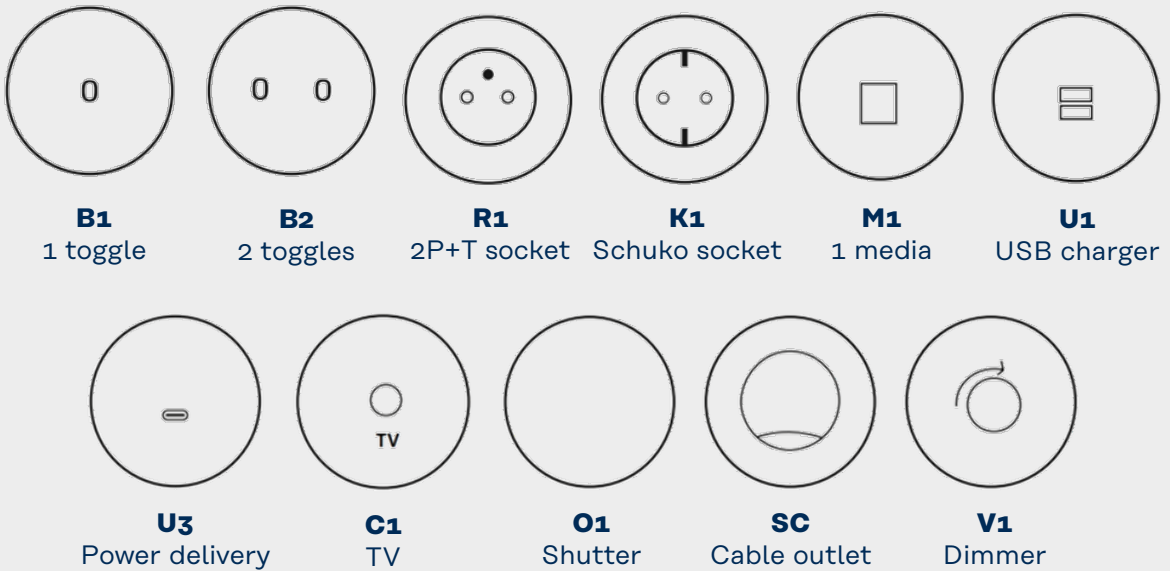
2 FINISHES



3 FORMATS Dimensions in mm



4 AVAILABLE FUNCTIONS



GLOSSARY

Toggle: two-way toggle / push-toggle / cross switch / roller shutter

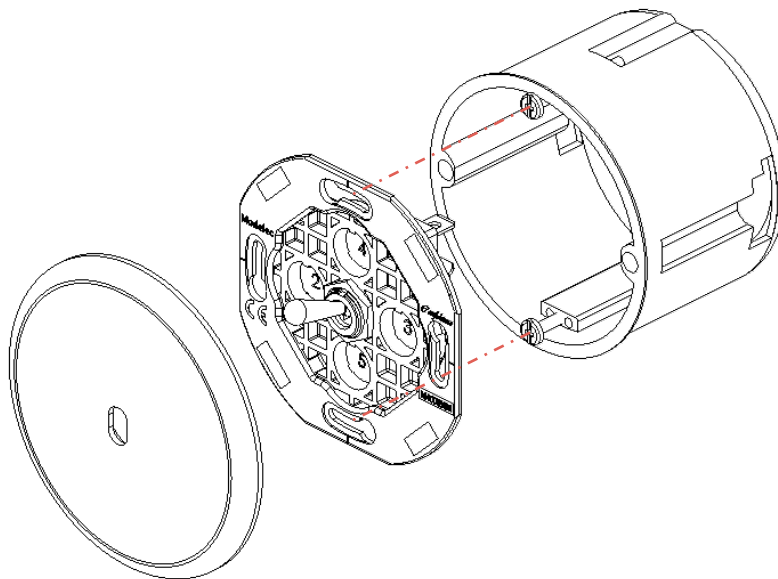
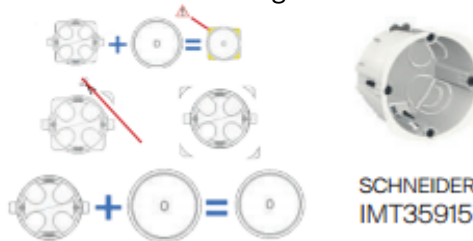
Media: RJ45 / HDMI / USB DATA / LS



5 FITTING

IMPORTANT

Iris by MODELEC collection.
Please note, cut off the lugs on the box
or choose the following reference :



1. Wire the mechanism according to the corresponding diagram.
2. Place the mechanism(s) into the standard flush-mount box and screw in place.
3. Ensure vertical position is correct.
4. Move the plate up to the mechanism so the magnet can act.