



E



S



D

## 1 GENERAL INFORMATION

- **Material:** Brass 5mm
- **Weight:** 70g **E** / 120g **EL** / 120g **S** / 200g **D** / 280g **T**
- **Spacing between screws:** 60mm
- **Fixing:** With screw or without screw
- **Fitting:** 3 minutes screw / 1 minute magnet
- **Compatible flush-mount boxes:**
  - LEG 080031 **S**
  - LEG 080032 **D**
  - LEG 080033 **T**
  - LEG 080040 **E**
  - ARD 432002 **EL**



## 2 FINISHES



Matt white  
413



Brushed steel  
412



Satin nickel  
418



Mirror chrome  
415



Gun metal  
414



Matt black  
408



White enamel  
424



Brushed brass  
410



Satin brass  
419



Mirror gold  
421

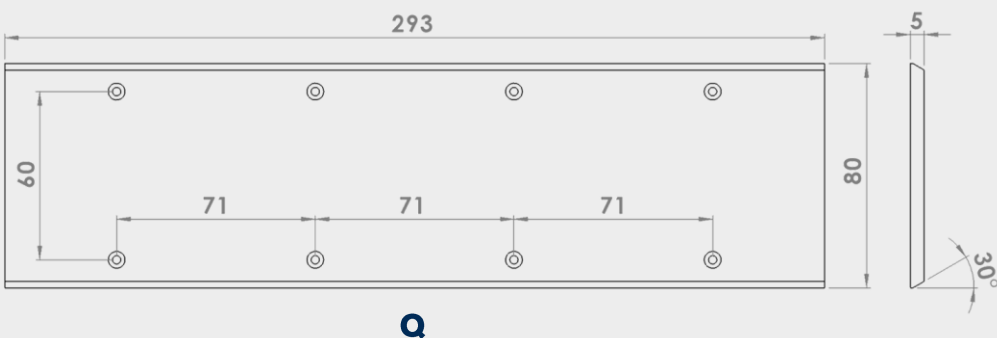
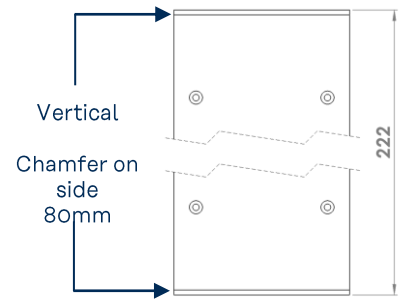
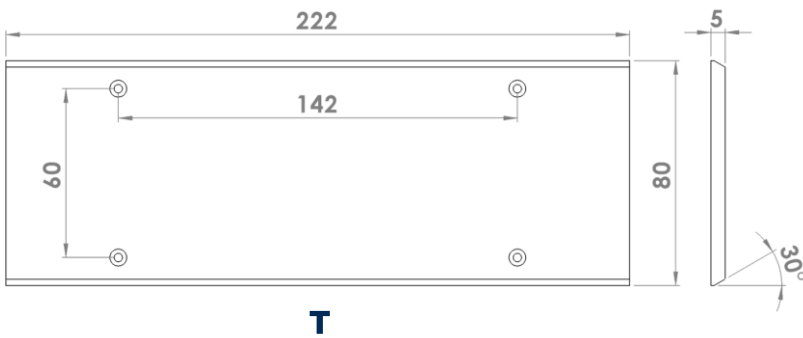
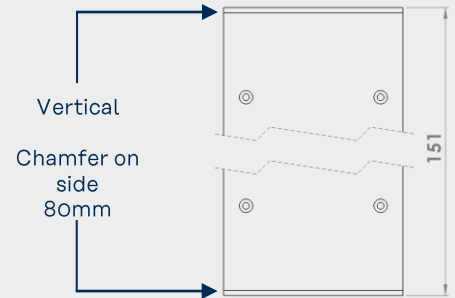
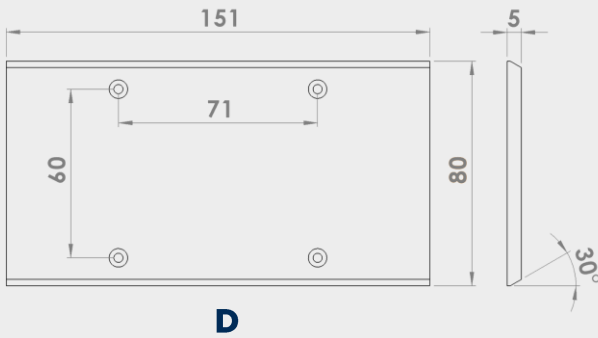
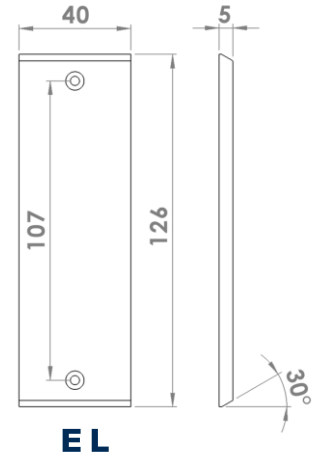
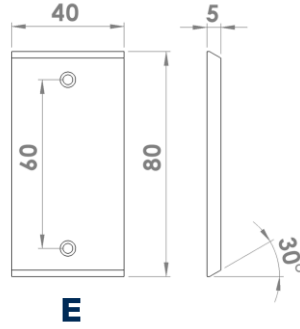
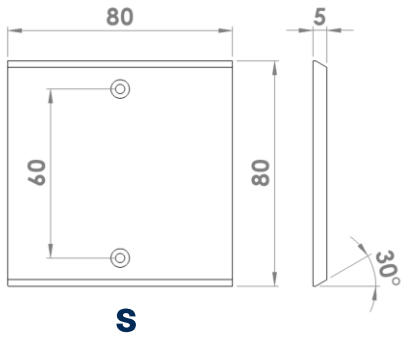


Old bronze  
417

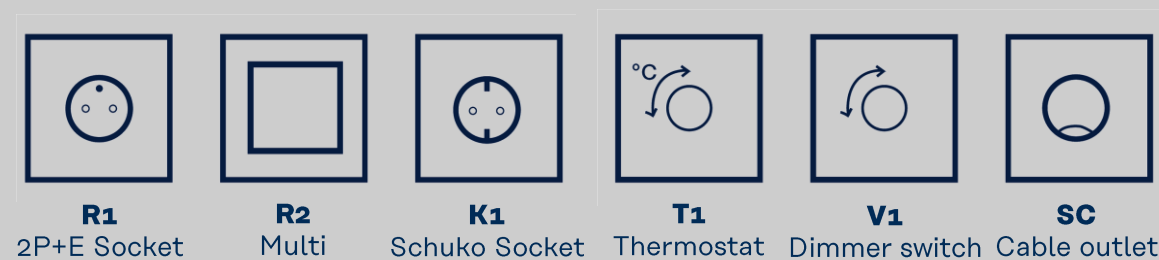
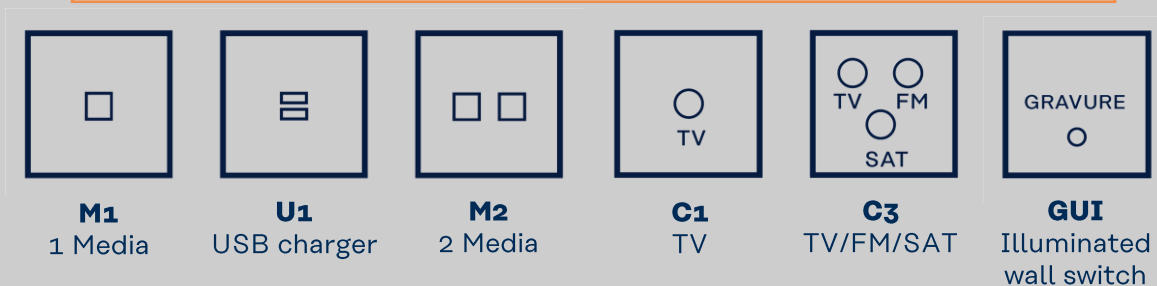
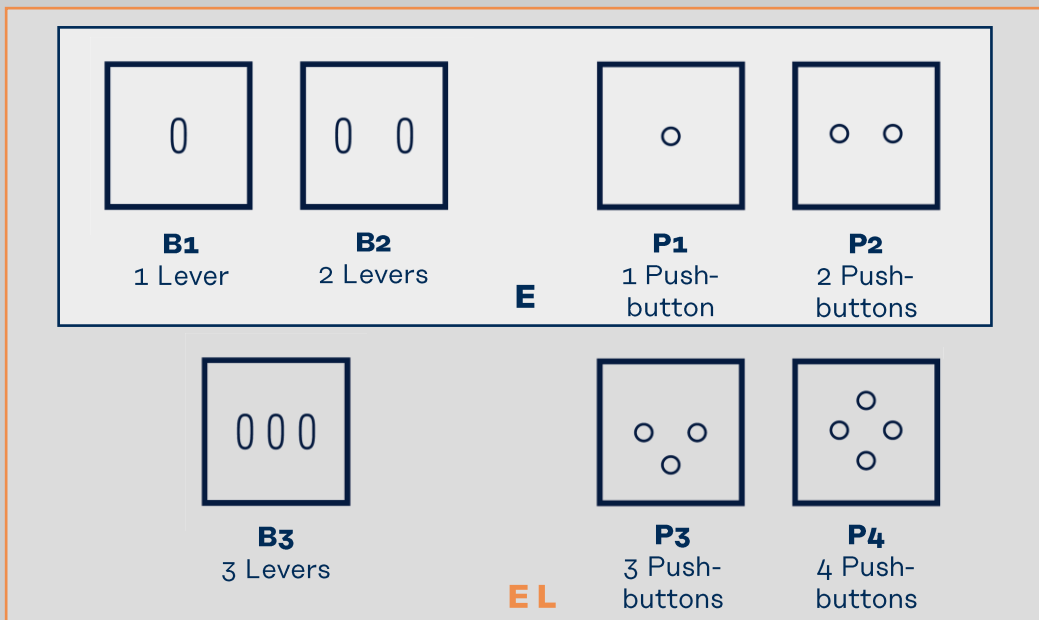


Satin-finish copper  
423

### 3 FORMATS Dimensions in mm



### 4 AVAILABLE FUNCTIONS



**S D T Q**

**Lever:** toggle / push-button / cross switch / roller shutter

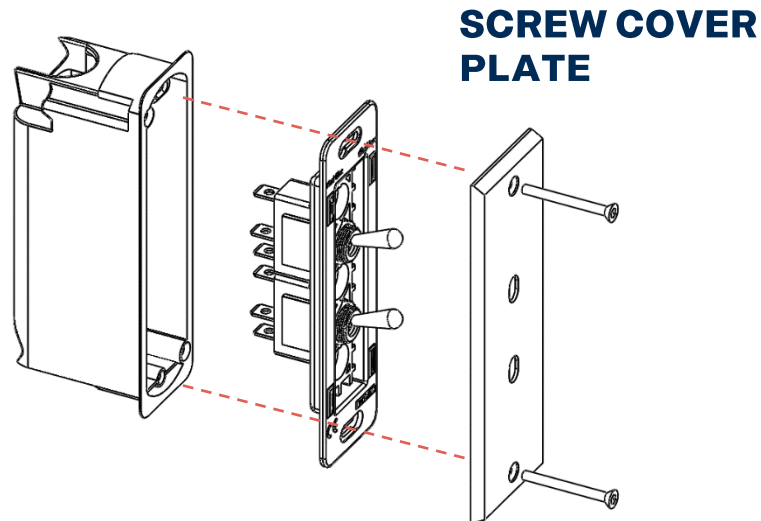
**Push:** push-button

**Media:** RJ45 / HDMI / USB DATA / HP

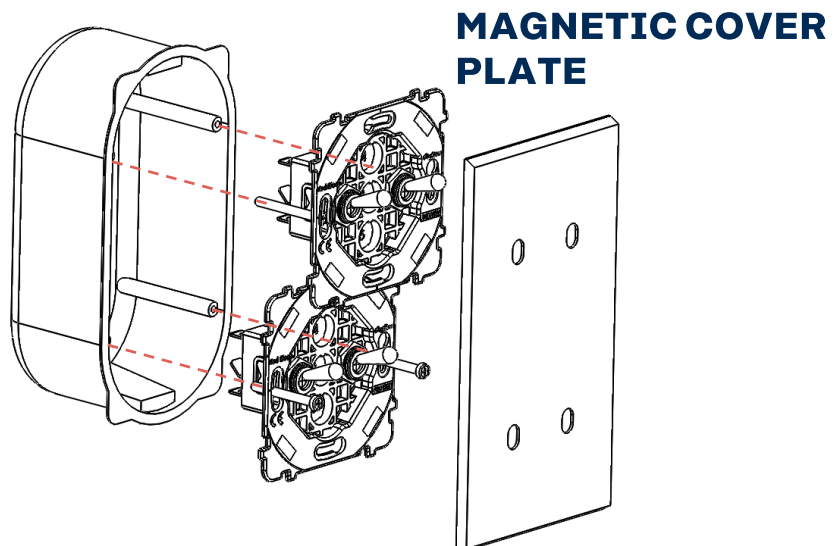
**Multi:** detector / badge reader / international sockets

## GLOSSARY

### 5 FITTING



1. Wire the mechanism according to the corresponding diagram.
2. Simply engage the cover plate + mecanism assembly into the standard flush-mount box and screw in (2 Torx screws supplied).
3. Ensure vertical position is correct.



1. Wire the mechanism according to the corresponding diagram.
2. Place the mechanism(s) into the standard flush-mount box and screw in place.
3. Ensure vertical position is correct.
4. Move the front panel up to the mechanism so the magnet can act.

