



EL



S



D

1 GENERAL INFORMATION

- **Material:** Brass 5mm
- **Weight:** 220g **EL** / 260g **S** / 360g **D**
- **Spacing between screws:** 60mm
- **Fixing:** Screw-on only
- **Fitting:** 3 minutes screw
- **Compatible flush-mount boxes:**
LEG 080031 **S**
LEG 080032 **D**
ARD 432002 **EL**



2700K – 170lm
power consumption 2W
Lighting equivalent to
12W halogen

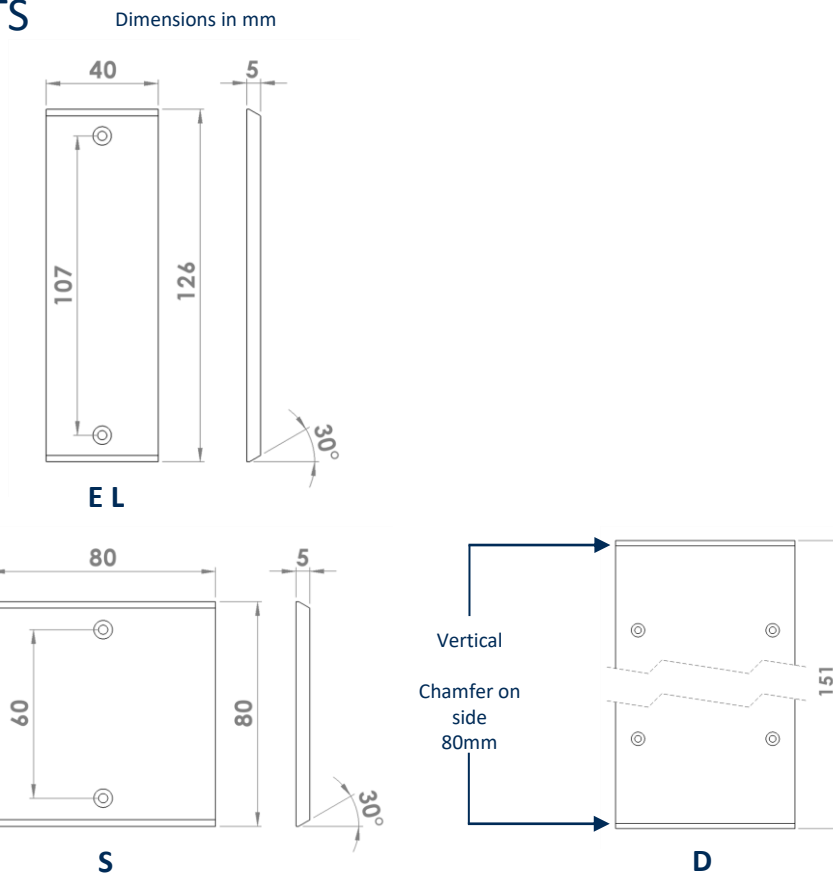


2 FINISHES

Terminal	White	Steel	Steel	Chrome	Chrome	Black
Cover plate	Matt white 413	Brushed steel 412	Satin nickel 418	Mirror chrome 415	Gun metal 414	Matt black 408

Terminal	Gilt	Brass	Brass	Gilt	Bronze	Brass
Cover plate	White enamel 424	Brushed brass 410	Satin brass 419	Mirror gold 421	Old bronze 417	Satin-finish copper 423

3 FORMATS



4 AVAILABLE FUNCTIONS

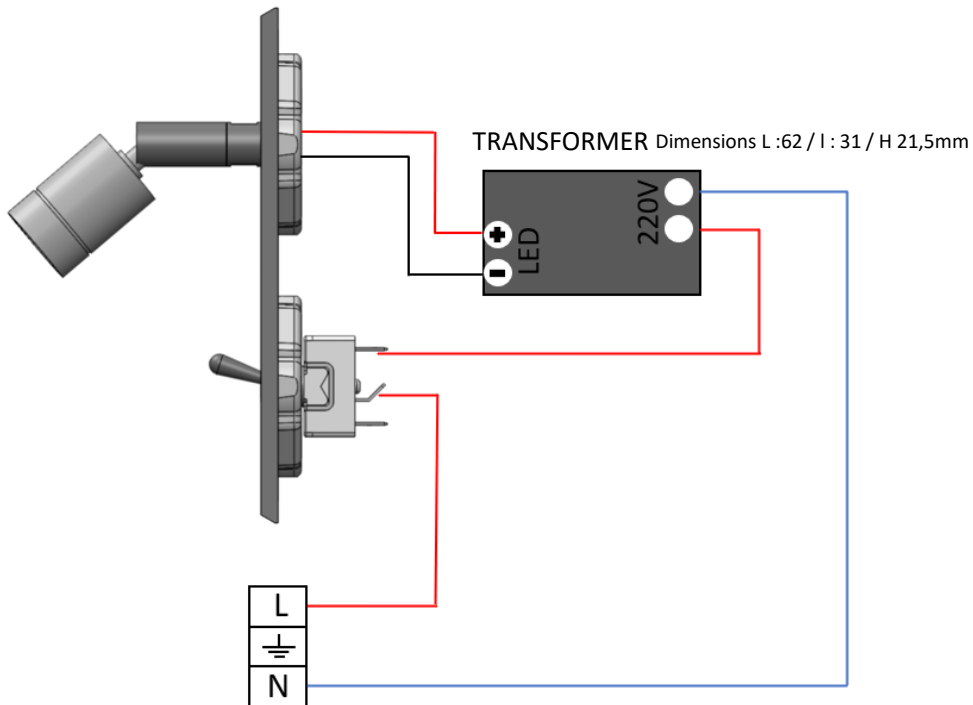


GLOSSARY

Lever: toggle / push-button / changeover / roller shutter



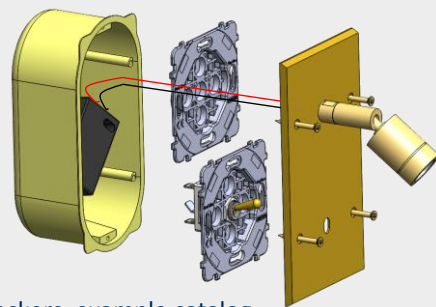
5 WIRING



6 FITTING

1. Wire the mechanism according to the corresponding diagram.
2. Simply engage the cover plate + mechanism assembly into the standard flush-mount box and screw in (4 Torx screws supplied).
3. Ensure vertical position is correct.

SCREW COVER PLATE



! Note: For long or simple Narrow fronts with several rockers, example catalog 2034xx, the transformer cannot be placed in the flush-mounting box. It will have to be placed behind the bulkhead and it will be necessary to take care of it's good electrical insulation.

